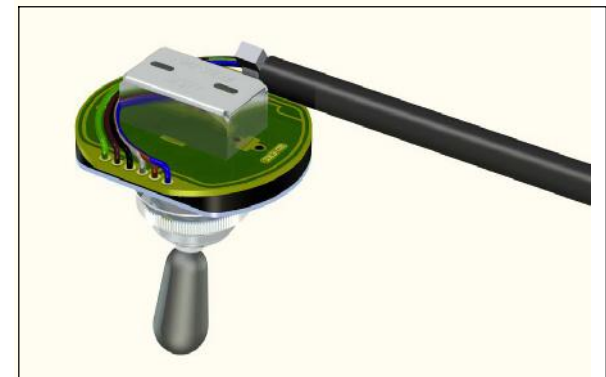
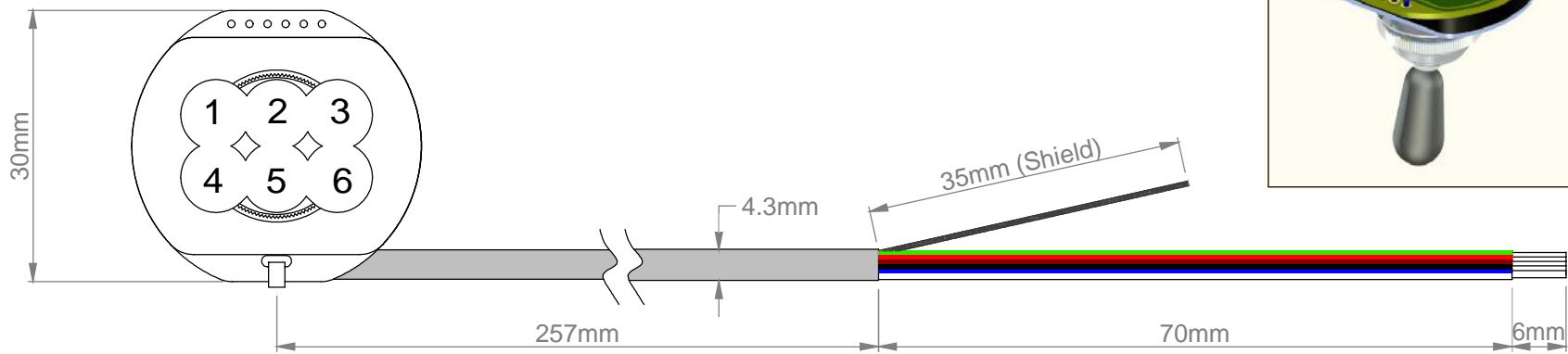
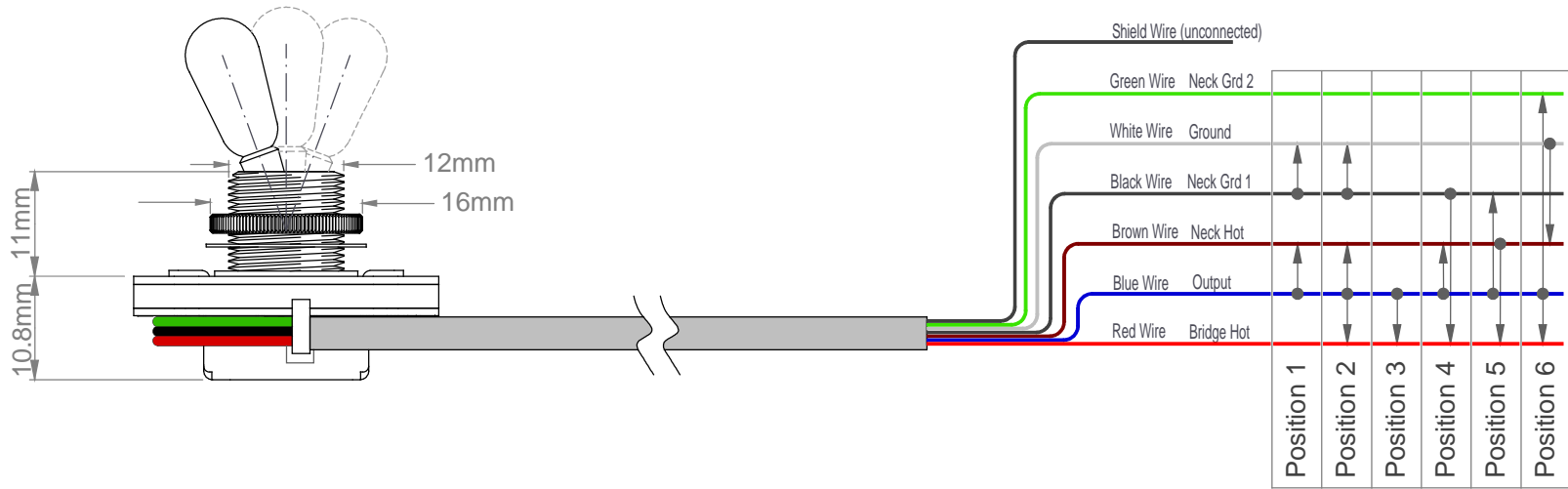


FREE-WAY SWITCH

www.freewayswitch.com

MANUFACTURED IN ENGLAND BY NSF CONTROLS LTD

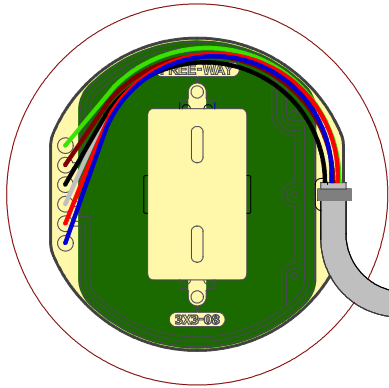


© Free-Way 2021

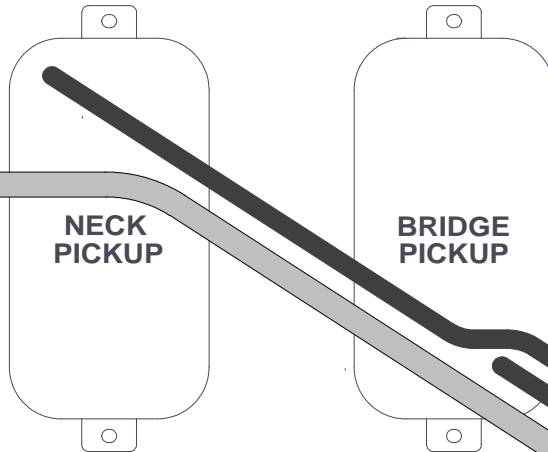
FREE-WAY SWITCH

www.freewayswitch.com

MANUFACTURED IN ENGLAND BY NSF CONTROLS LTD



REVERSE VIEW OF PICKUPS, SWITCH AND POTS.



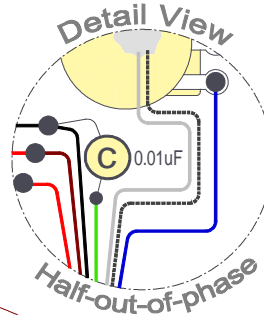
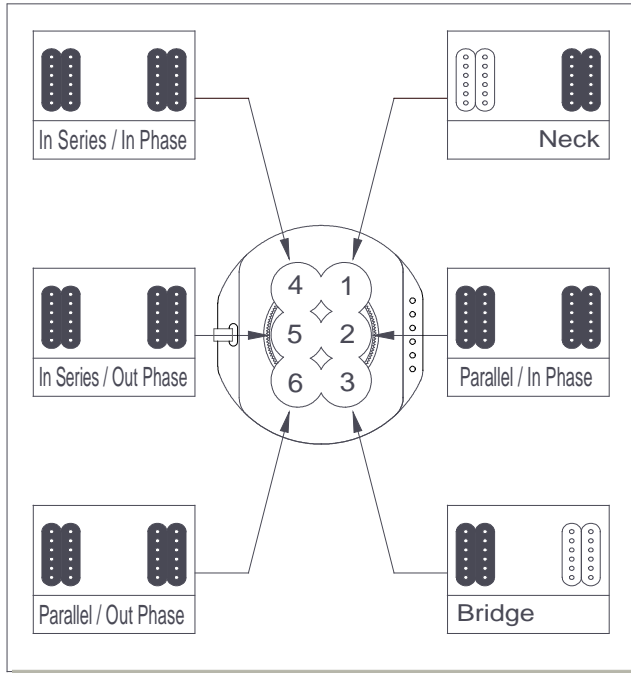
Notes:-

For 'half out of phase' sound in position 6, include the 0.01uF as shown in the 'Detail View.'

Wire to wire connections (marked ●) should be soldered and then covered with insulation tape / heat-shrink.

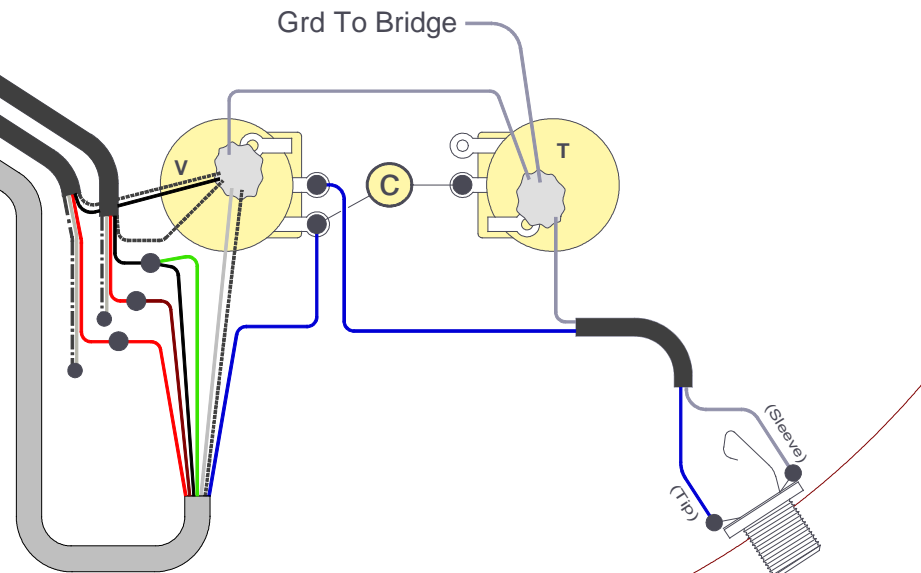
The pickup colour coding shown in this diagram does not represent any particular pickup manufacturer - please follow key.

FRONT VIEW OF PICKUPS AND SWITCH



HUMBUCKER COLOUR KEY

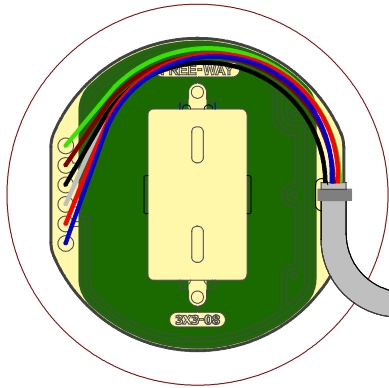
NORTH Start wire	— (Red)
NORTH Finish wire	— (Grey)
SOUTH Finish wire	- - - (Black)
SOUTH Start wire	— (Black)
Shield / Screen	- - - - (Dotted)



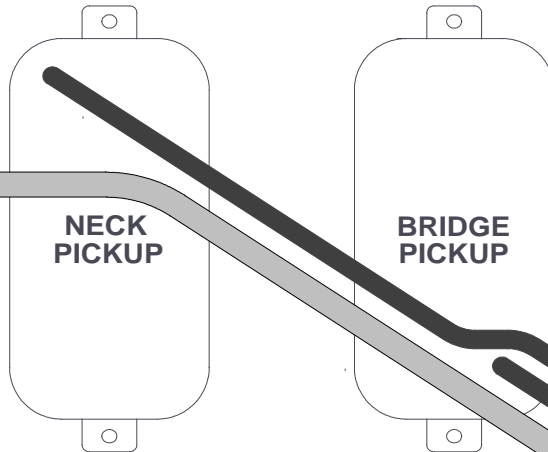
Scheme No 346 : Last Updated Oct 2021



MANUFACTURED IN ENGLAND BY NSF CONTROLS LTD



REVERSE VIEW OF PICKUPS, SWITCH AND POTS.



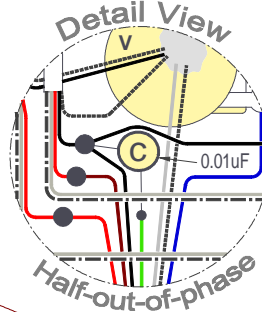
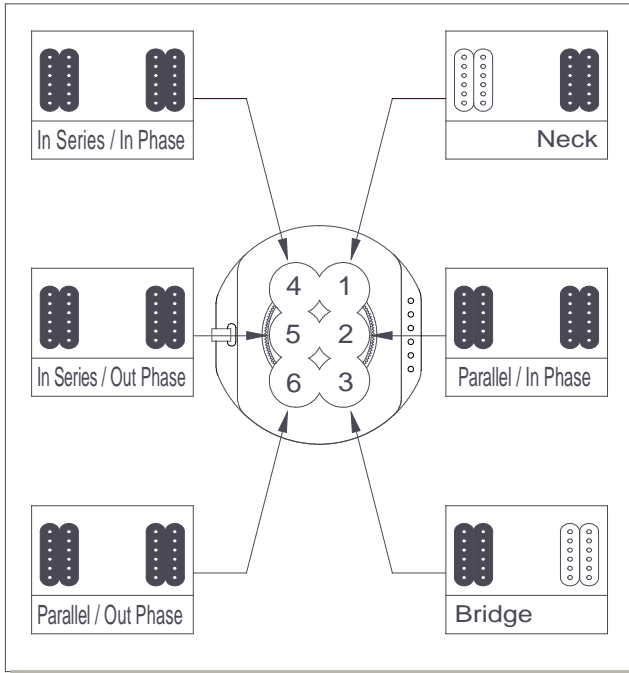
Notes:-

For 'half out of phase' sound in position 6, include the 0.01uF as shown in the 'Detail View.'

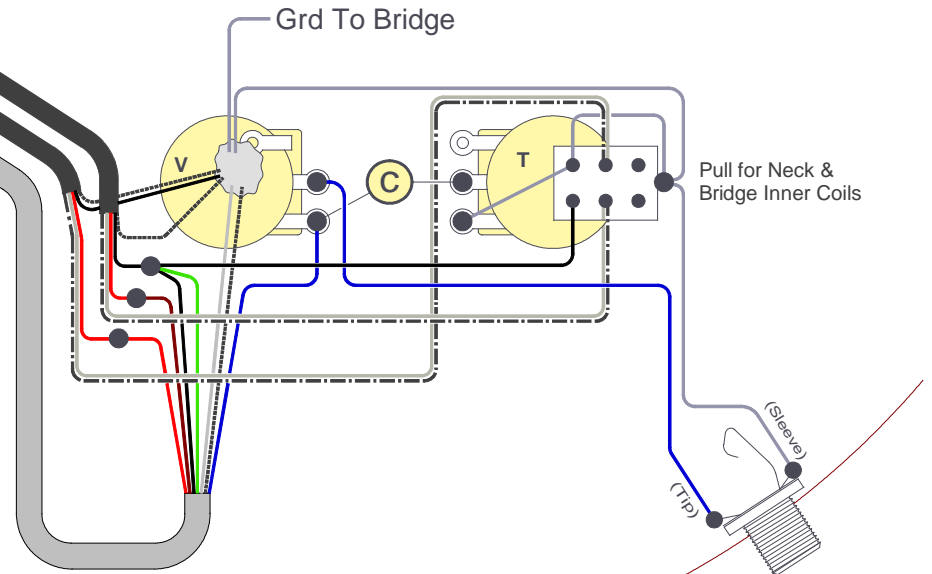
Wire to wire connections (marked ●) should be soldered and then covered with insulation tape / heat-shrink.

The pickup colour coding shown in this diagram does not represent any particular pickup manufacturer - please follow key.

FRONT VIEW OF PICKUPS AND SWITCH



HUMBUCKER COLOUR KEY	
NORTH Start wire	— (Red)
NORTH Finish wire	— (Grey)
SOUTH Finish wire	- - - (Black)
SOUTH Start wire	— (Black)
Shield / Screen	- - - - - (Dotted)



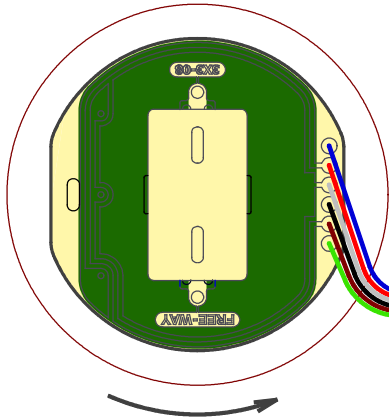
Scheme No 347 : Last Updated Nov 2022

© Free-Way 2021

FREE-WAY SWITCH

www.freewayswitch.com

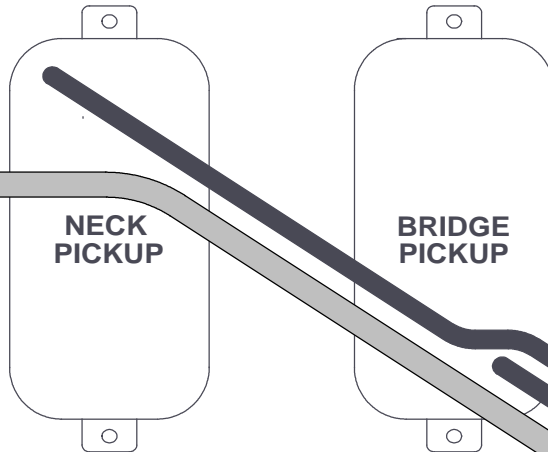
MANUFACTURED IN ENGLAND BY NSF CONTROLS LTD



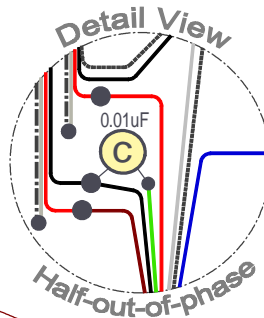
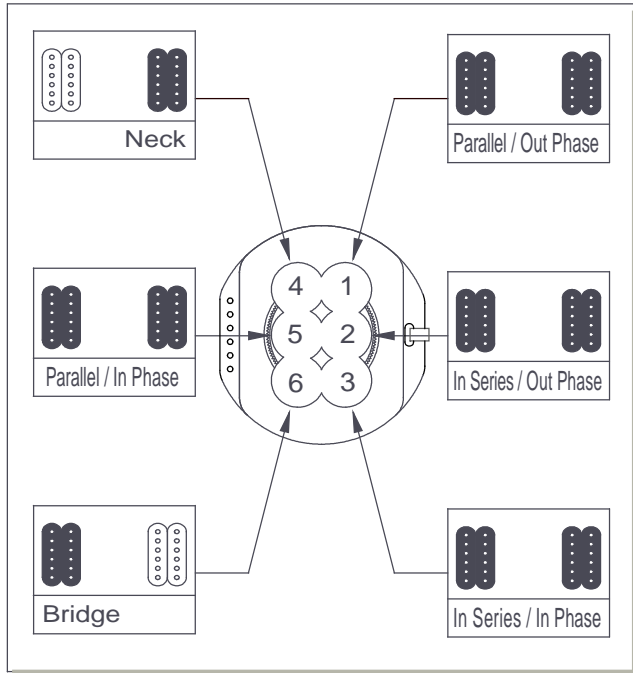
REVERSE VIEW OF PICKUPS, SWITCH AND POTS.

Notes:-
 For 'half out of phase' sound in position 1, include the 0.01uF as shown in the 'Detail View.'
 Wire to wire connections (marked ●) should be soldered and then covered with insulation tape / heat-shrink.
 The pickup colour coding shown in this diagram does not represent any particular pickup manufacturer - please follow key.

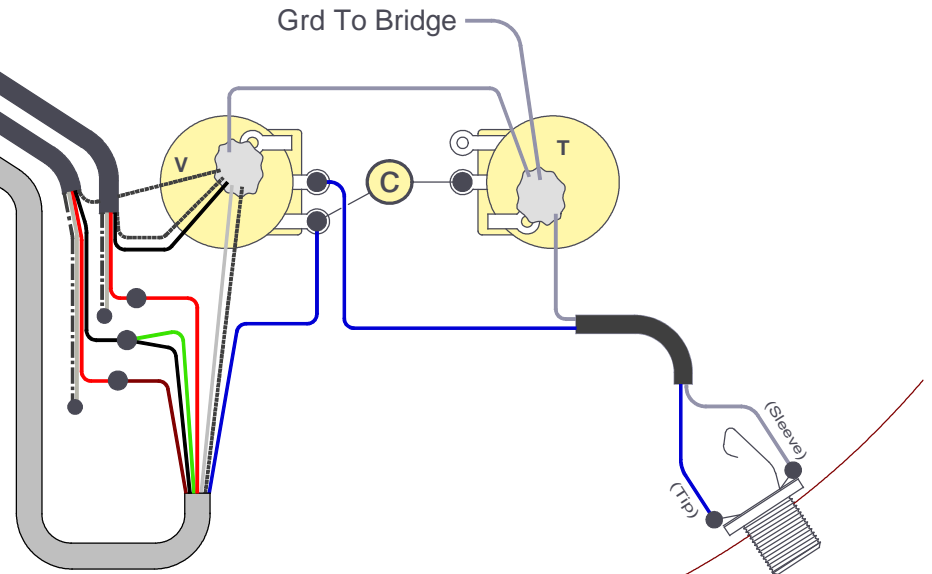
Note: Switch rotated 180 degrees (release cable tie, if necessary)



FRONT VIEW OF PICKUPS AND SWITCH



HUMBUCKER COLOUR KEY	
NORTH Start wire	— (Red)
NORTH Finish wire	— (Grey)
SOUTH Finish wire	- - - (Black)
SOUTH Start wire	— (Green)
Shield / Screen	- - - - - (Dotted)



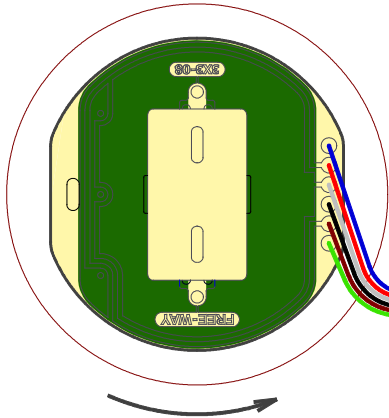
Scheme No 351: Last Updated Oct 2021

© Free-Way 2021

FREE-WAY SWITCH

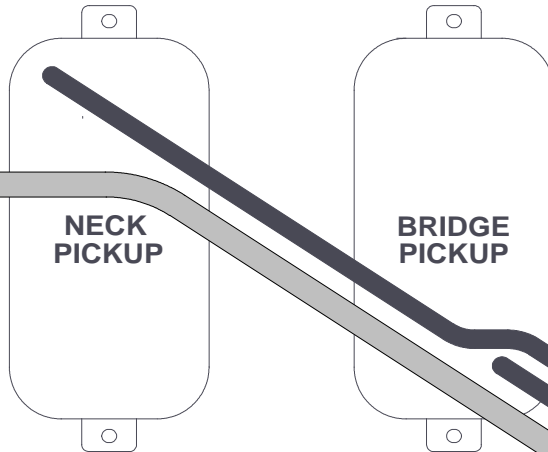
www.freewayswitch.com

MANUFACTURED IN ENGLAND BY NSF CONTROLS LTD



REVERSE VIEW OF PICKUPS, SWITCH AND POTS.

Note: Switch rotated 180 degrees (release cable tie, if necessary)



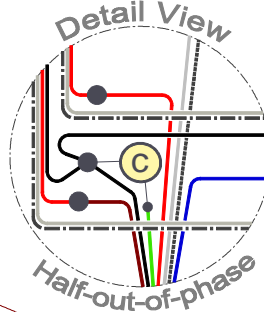
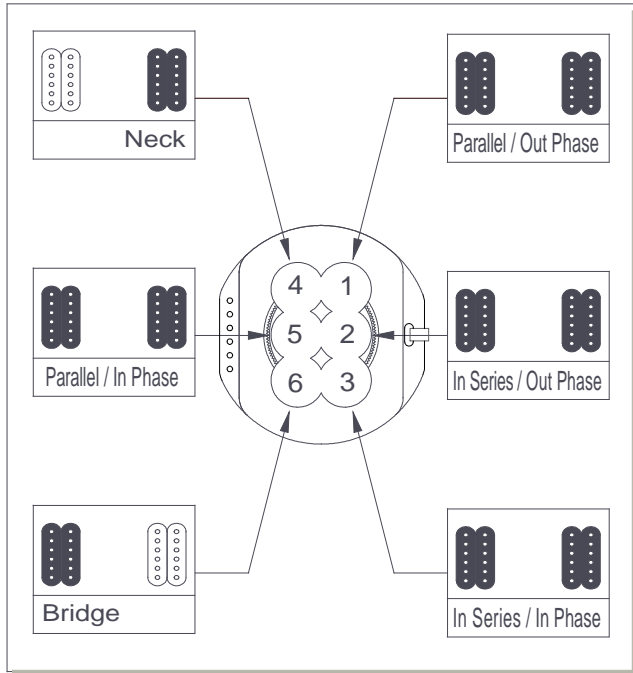
Notes:-

For 'half out of phase' sound in position 1, include the 0.01uF as shown in the 'Detail View.'

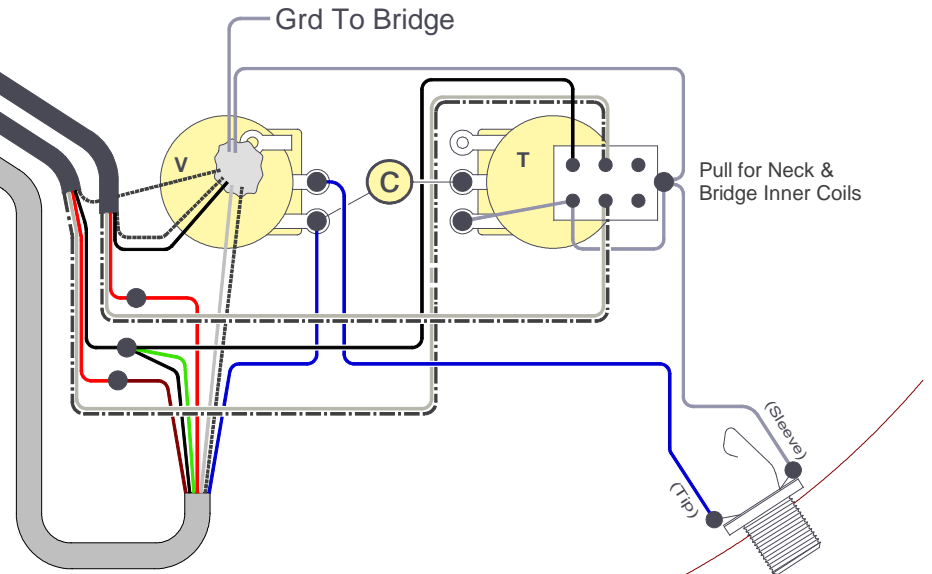
Wire to wire connections (marked ●) should be soldered and then covered with insulation tape / heat-shrink.

The pickup colour coding shown in this diagram does not represent any particular pickup manufacturer - please follow key.

FRONT VIEW OF PICKUPS AND SWITCH



HUMBUCKER COLOUR KEY	
NORTH Start wire	— (Red)
NORTH Finish wire	— (Grey)
SOUTH Finish wire	- - - (Black)
SOUTH Start wire	— (Blue)
Shield / Screen	— (Dotted)

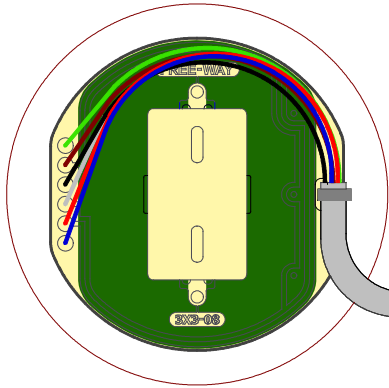


Scheme No 352: Last Updated Nov 2022

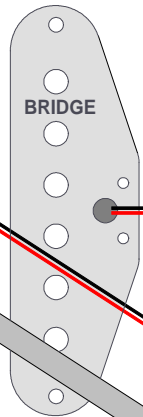
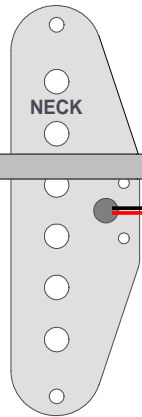
FREE-WAY SWITCH

www.freewayswitch.com

MANUFACTURED IN ENGLAND BY NSF CONTROLS LTD



REVERSE VIEW OF PICKUPS, SWITCH AND POTS.



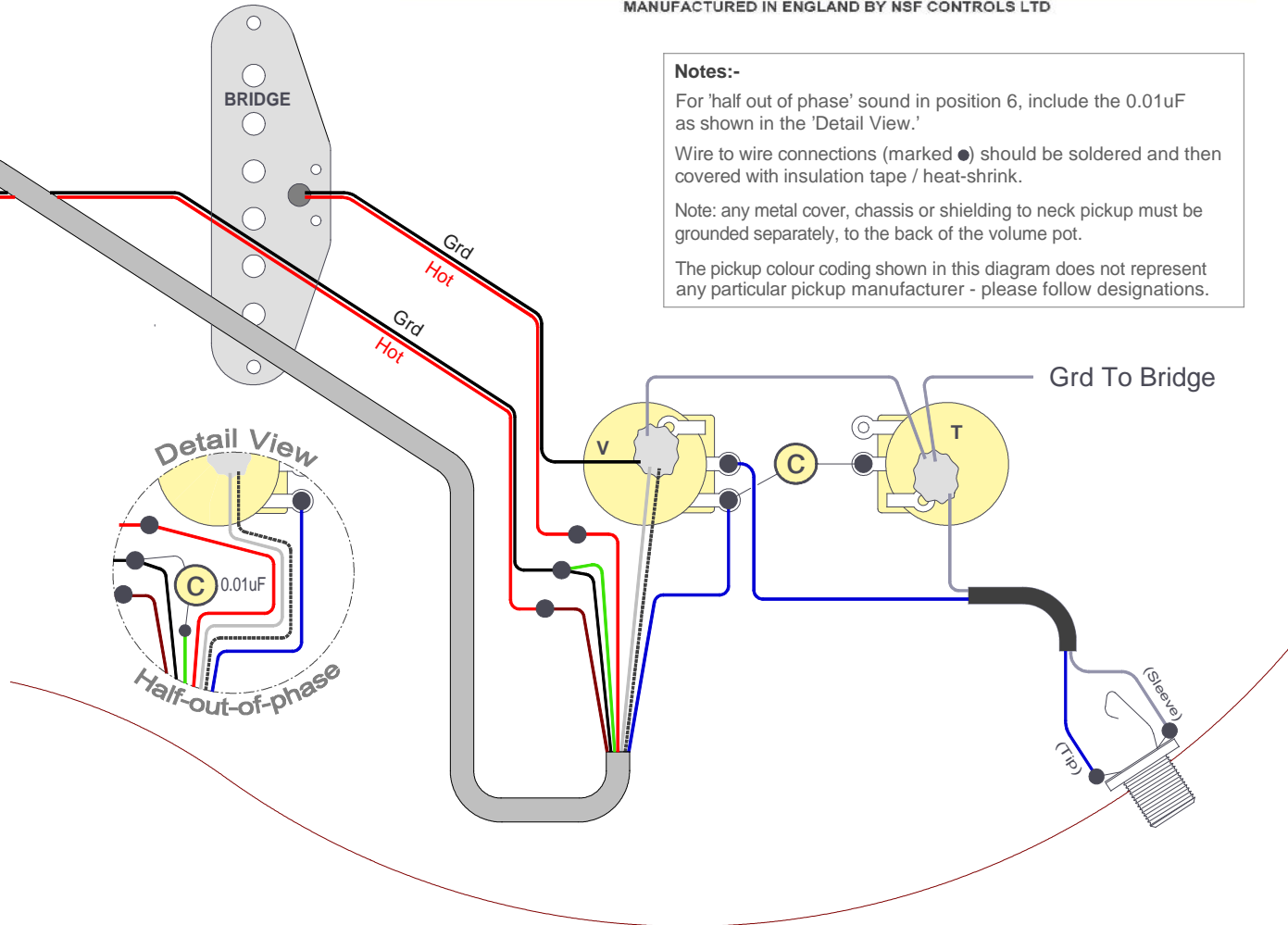
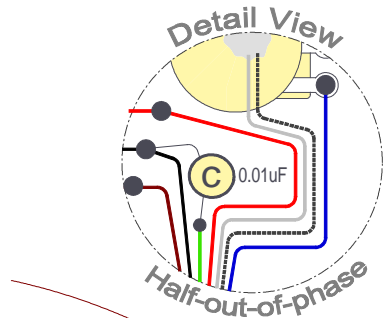
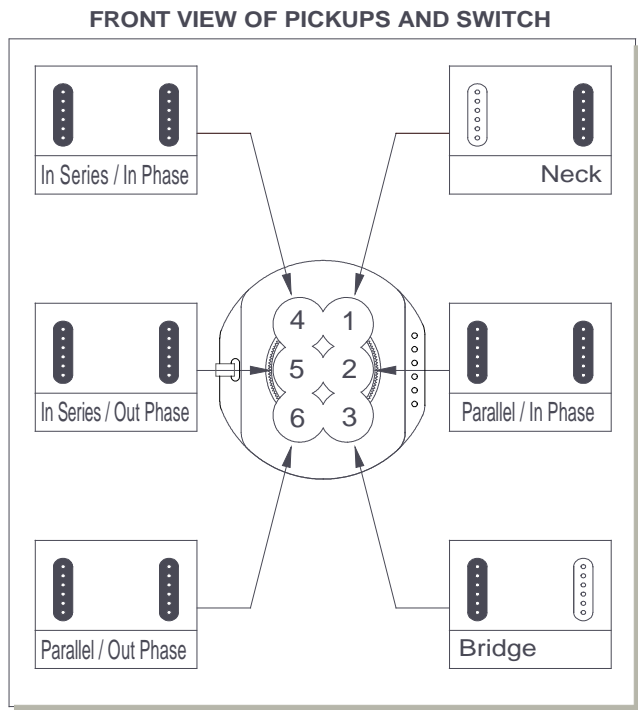
Notes:-

For 'half out of phase' sound in position 6, include the 0.01uF as shown in the 'Detail View.'

Wire to wire connections (marked ●) should be soldered and then covered with insulation tape / heat-shrink.

Note: any metal cover, chassis or shielding to neck pickup must be grounded separately, to the back of the volume pot.

The pickup colour coding shown in this diagram does not represent any particular pickup manufacturer - please follow designations.



Scheme No 353: Last Updated Oct 2021