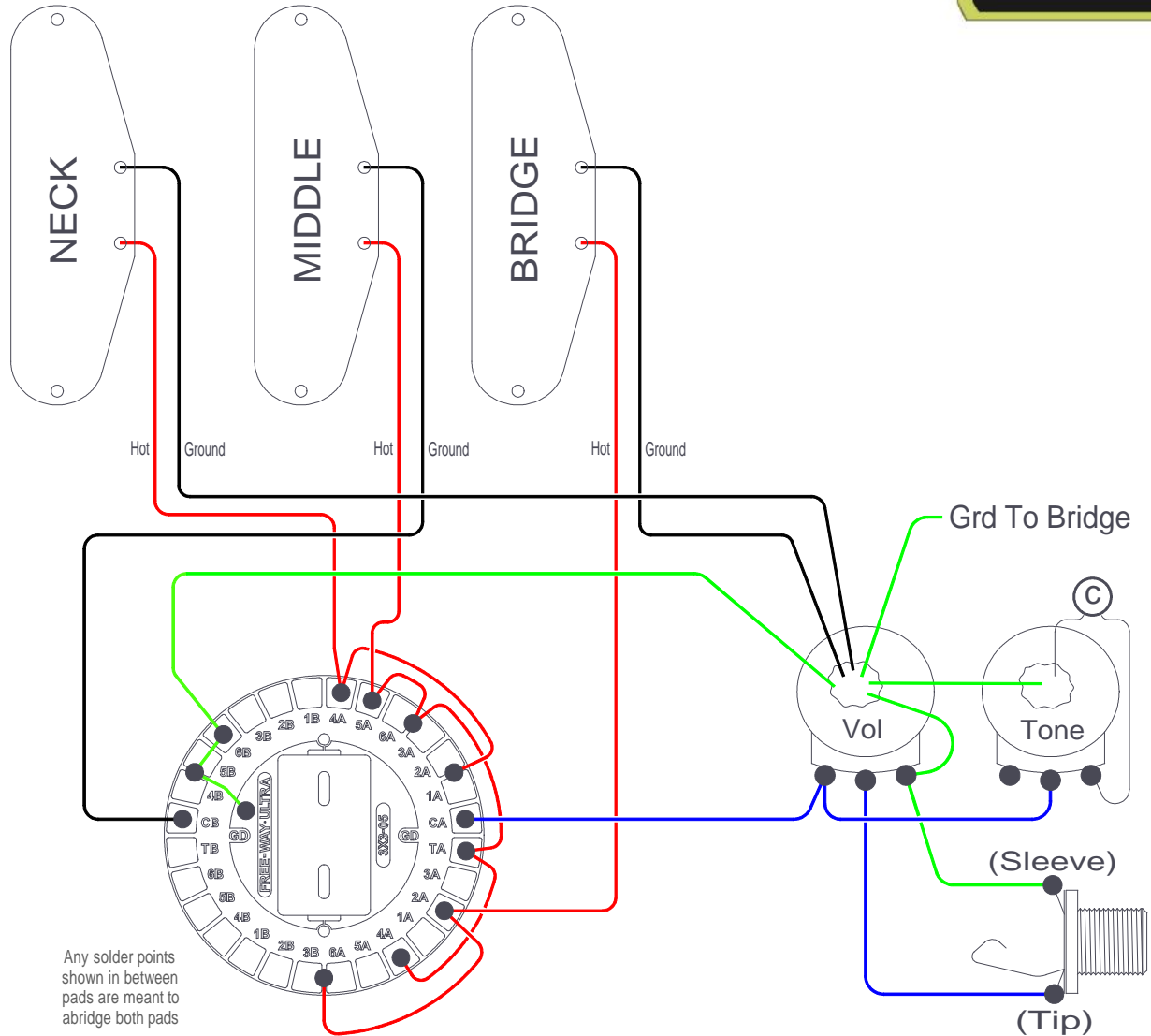


REVERSE VIEW OF PICKUPS, SWITCH AND POTENTIOMETERS.



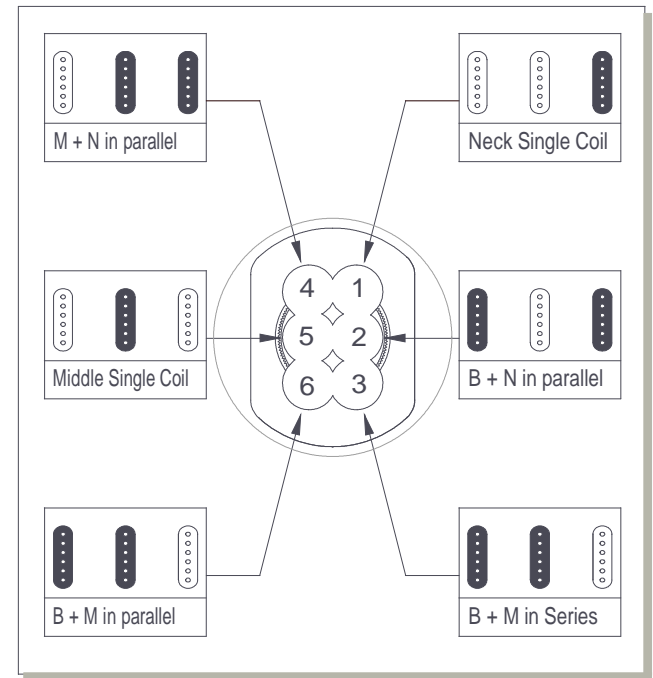
MANUFACTURED IN ENGLAND BY NSF CONTROLS LTD



Any solder points shown in between pads are meant to abridge both pads

**Notes:-**  
 Delivers a 'bridge humbucker' configuration (using middle and bridge pickups in series) in position 3 but retains authentic parallel sounds in position 4 & 6, together with Bridge and Neck in parallel in position 2.  
 Use a RW/RP middle pickup for hum-cancelling in positions 3, 4, & 6.  
 The pickup colour coding shown in this diagram does not represent any particular pickup manufacturer - please follow designations.

FRONT VIEW OF PICKUPS AND SWITCH

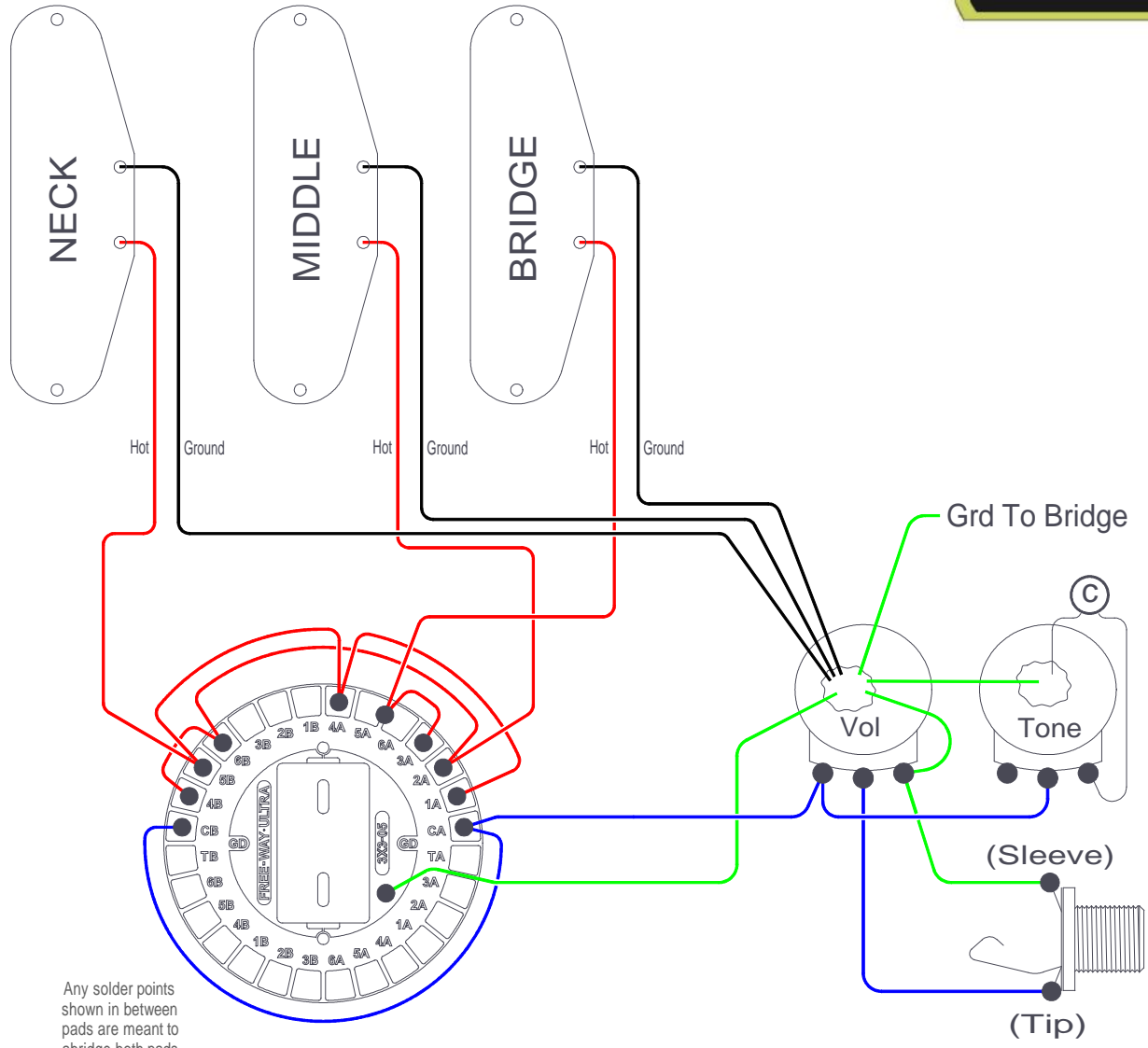


Scheme No 022 : Last Updated Sept 2013

REVERSE VIEW OF PICKUPS, SWITCH AND POTENTIOMETERS.



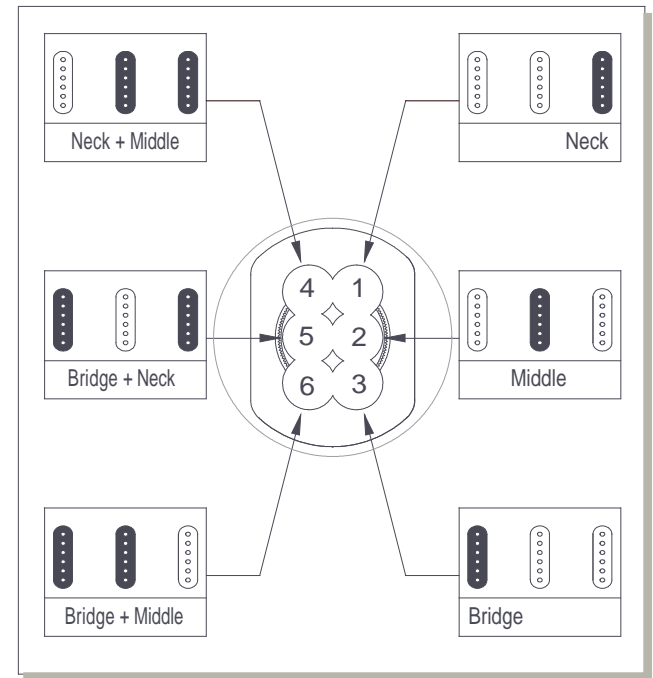
MANUFACTURED IN ENGLAND BY NSF CONTROLS LTD



Any solder points shown in between pads are meant to abridge both pads

**Notes:-**  
 Delivers individual pickup selections in position 1-3, and parallel pickup combinations in positions 4-6.  
 Use of a RW/RP middle pickup will render pickup combinations 4 & 6 hum-cancelling.  
 The pickup colour coding shown in this diagram does not represent any particular pickup manufacturer - please follow designations.

FRONT VIEW OF PICKUPS AND SWITCH



Scheme No 025 : Last Updated Sept 2013

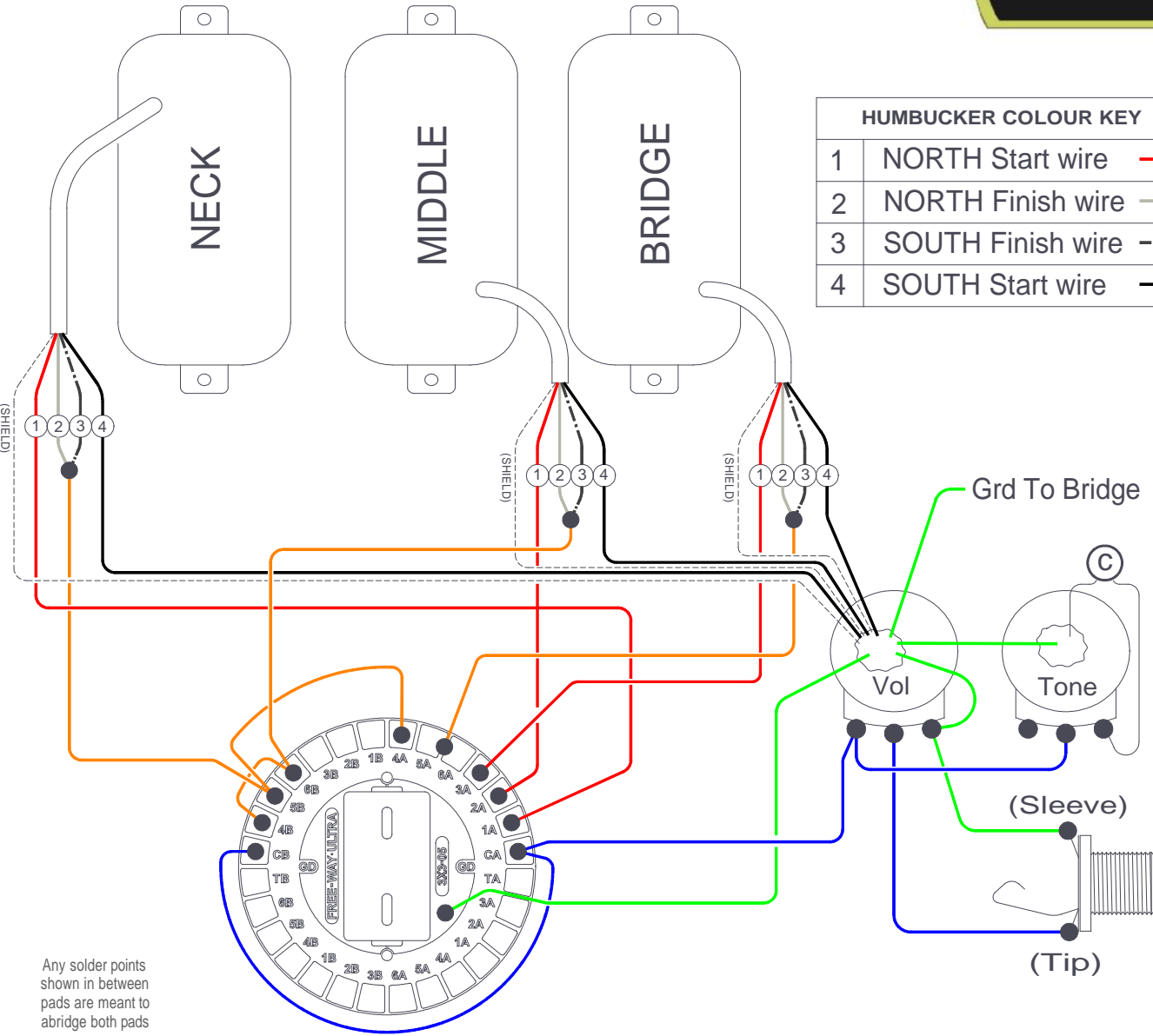
REVERSE VIEW OF PICKUPS, SWITCH AND POTENTIOMETERS.



MANUFACTURED IN ENGLAND BY NSF CONTROLS LTD

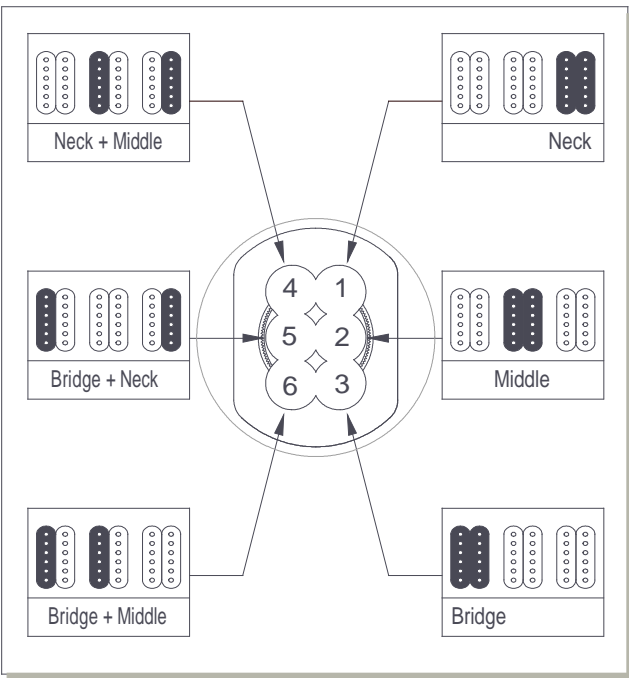
HUMBUCKER COLOUR KEY	
1	NORTH Start wire <span style="color: red;">—</span>
2	NORTH Finish wire <span style="color: grey;">—</span>
3	SOUTH Finish wire <span style="color: black;">- - -</span>
4	SOUTH Start wire <span style="color: black;">—</span>

**Notes:-**  
 Delivers individual pickup selections in position 1-3, and parallel pickup combinations in positions 4-6.  
  
 The pickup colour coding shown in this diagram does not represent any particular pickup manufacturer - please follow key.



Any solder points shown in between pads are meant to abridge both pads

FRONT VIEW OF PICKUPS AND SWITCH

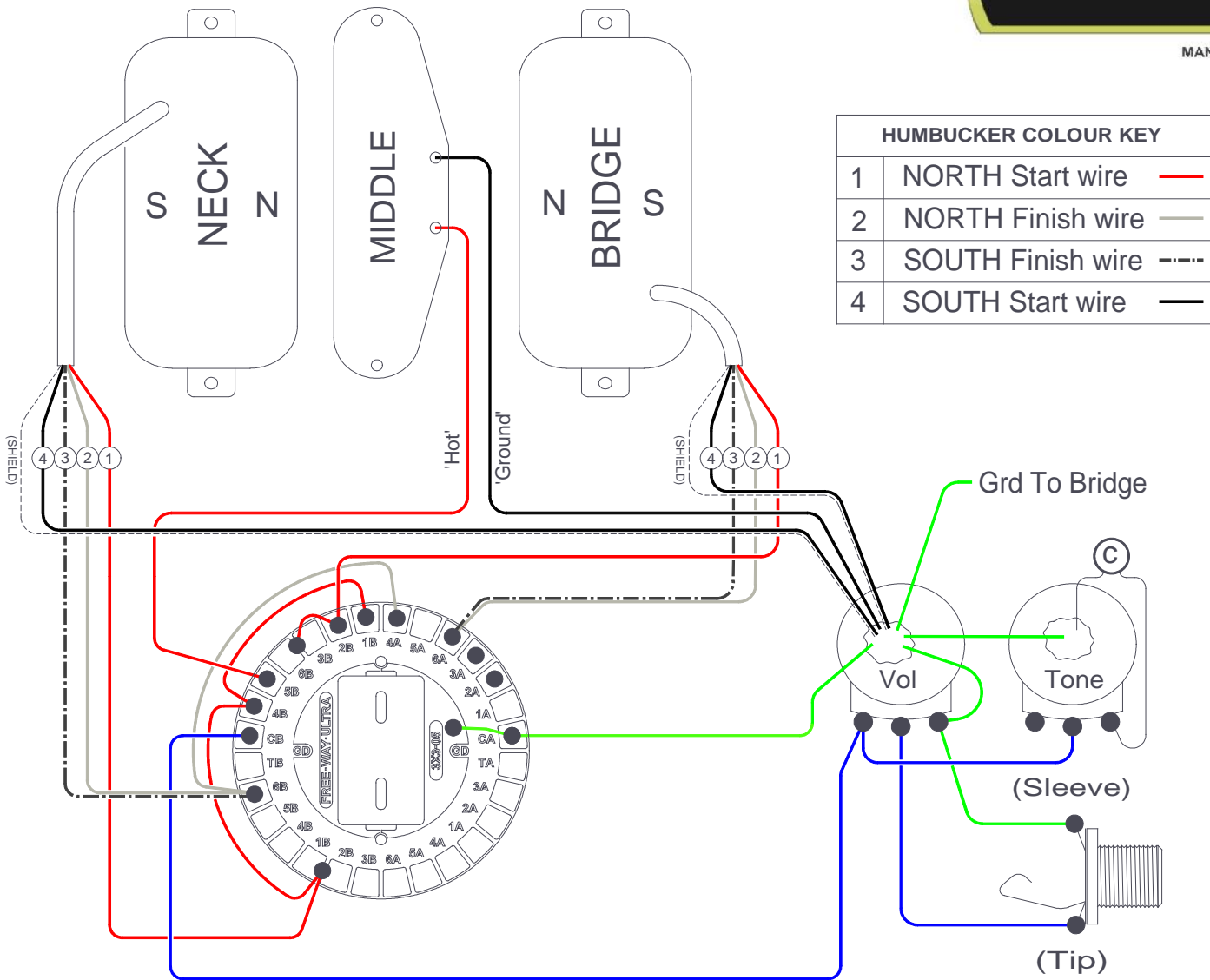


Scheme No 179 : Last Updated Sept 2016

REVERSE VIEW OF PICKUPS, SWITCH AND POTENTIOMETERS.



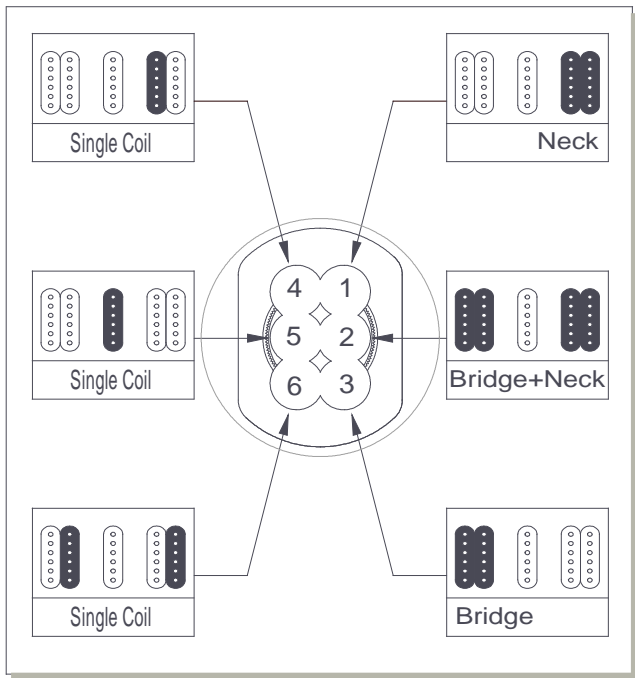
MANUFACTURED IN ENGLAND BY NSF CONTROLS LTD



HUMBUCKER COLOUR KEY	
1	NORTH Start wire <span style="color: red;">—</span>
2	NORTH Finish wire <span style="color: gray;">—</span>
3	SOUTH Finish wire <span style="color: black;">- - - -</span>
4	SOUTH Start wire <span style="color: black;">—</span>

**Notes:-**  
 Positions 1, 2 & 3 are standard neck/both/bridge humbucker settings,  
  
 The colour coding or magnetic polarity shown here does not represent any particular pickup manufacturer - please follow key.

FRONT VIEW OF PICKUPS AND SWITCH

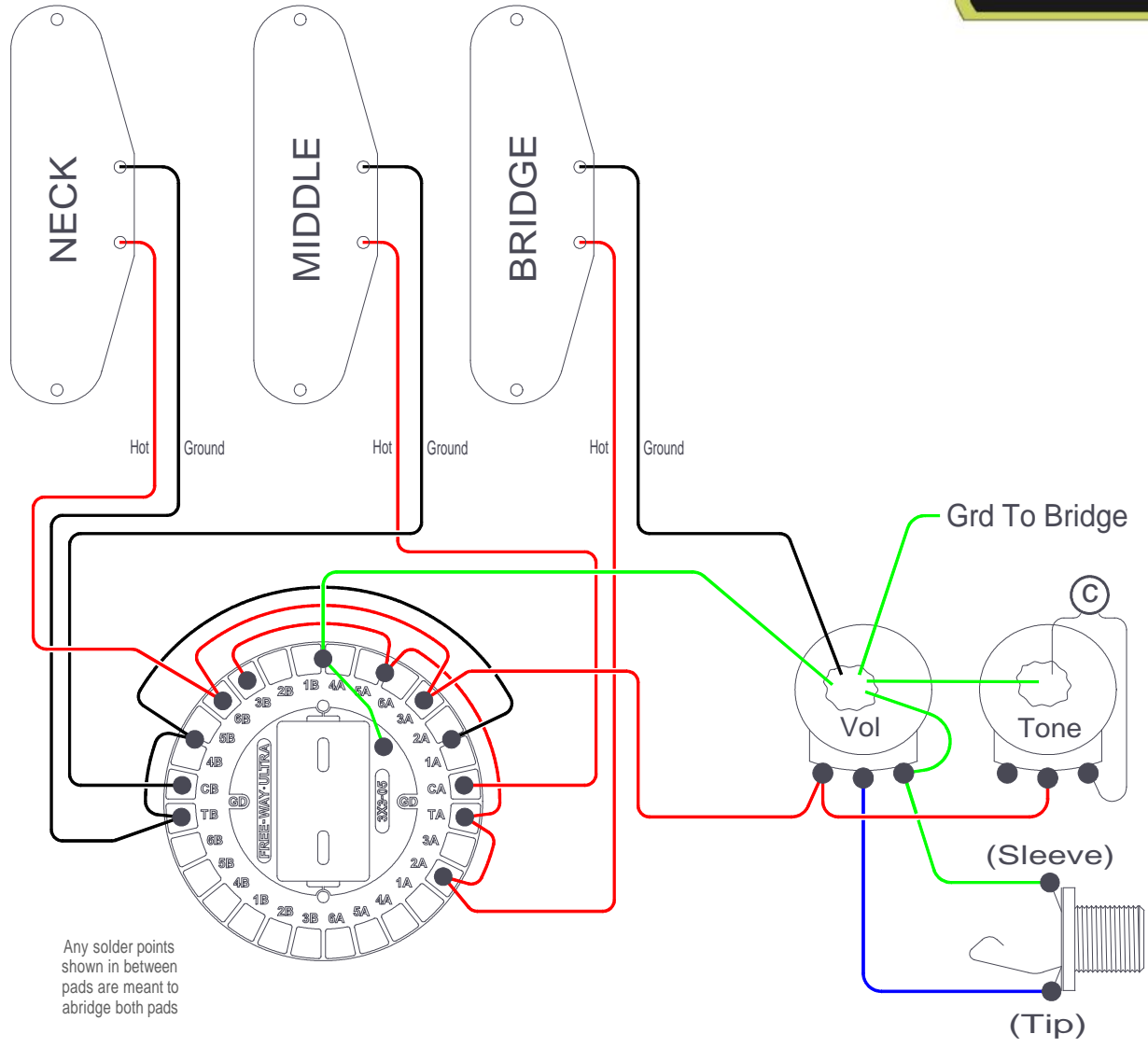


Scheme No 211 : Last Updated Mar 2017

REVERSE VIEW OF PICKUPS, SWITCH AND POTENTIOMETERS.



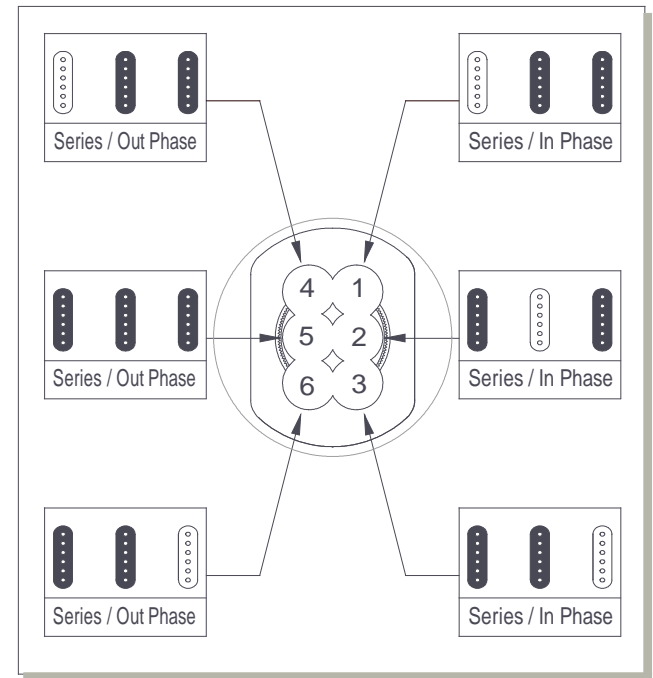
MANUFACTURED IN ENGLAND BY NSF CONTROLS LTD



Any solder points shown in between pads are meant to abridge both pads

**Notes:-**  
 Delivers 'in series' combinations of pickups either: in phase (in positions 1-3) or; out of phase (in positions 4-6).  
 Use of one RW/RP pickup will render certain pickup combinations hum-cancelling. For example, a RW/RP middle pickup will render positions 1 & 3 hum-cancelling but will have the opposite effect on positions 4 & 6.  
 The pickup colour coding shown in this diagram does not represent any particular pickup manufacturer - please follow designations.

FRONT VIEW OF PICKUPS AND SWITCH



Scheme No 021 : Last Updated Sept 2013